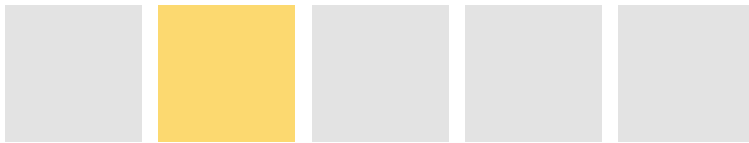


EZZI VISION

2016 Vacuum components catalogue



www.ezzivision.com.au



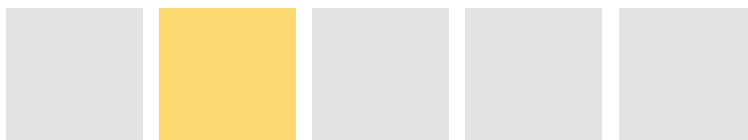
Melbourne Office
Sales and Service Centre:
8 Bonavita Court,
Chirside Park
VIC 3116, Australia

Sydney Office
Sales and Service Centre
1800 463 994
nsw@ezzivision.com.au

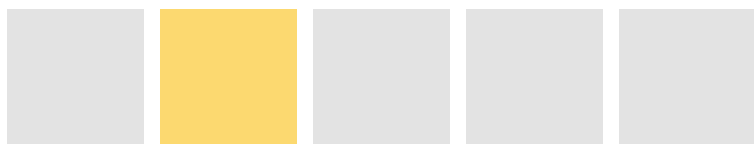
Ezzi Vision Pty Ltd
Melbourne and Sydney
1800 GO EZZI or 1800 463 994

Tel: +61 (03) 97270770
Fax: +61 (03) 86101928

www.ezzivision.com.au



CONTENTS



KF Series



4

ISO Series



15

CF Series



22

Adaptor Series

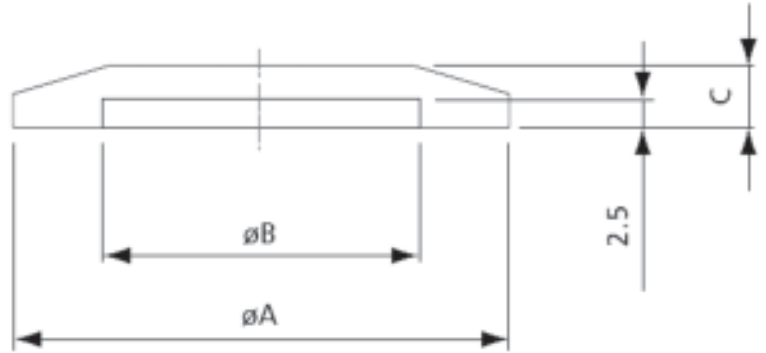
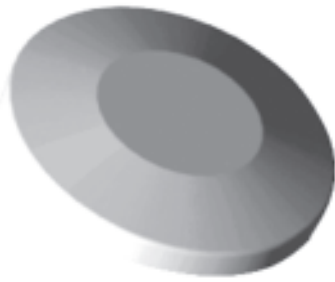


33

KF SERIES

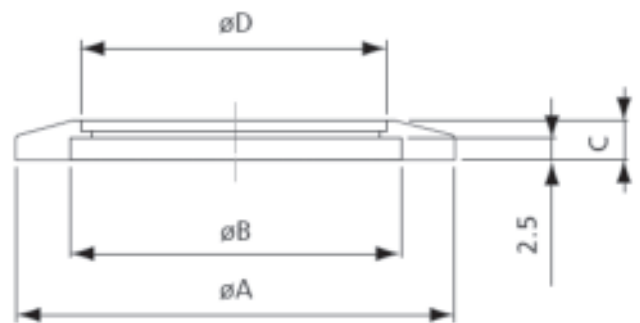


Blank Flange



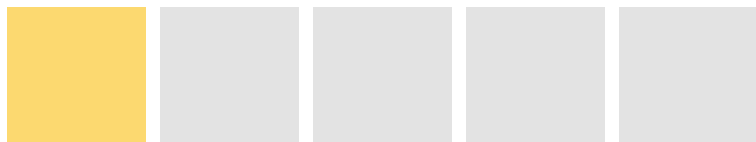
Part No.	KF Size	Material	A	B	C
EV01001	10	304 Stainless Steel	30	12.2	5
EV01002	16	304 Stainless Steel	30	17.2	5
EV01003	25	304 Stainless Steel	40	26.2	5
EV01004	40	304 Stainless Steel	55	41.2	5
EV01005	50	304 Stainless Steel	75	52.2	5

Bored Blank Flange

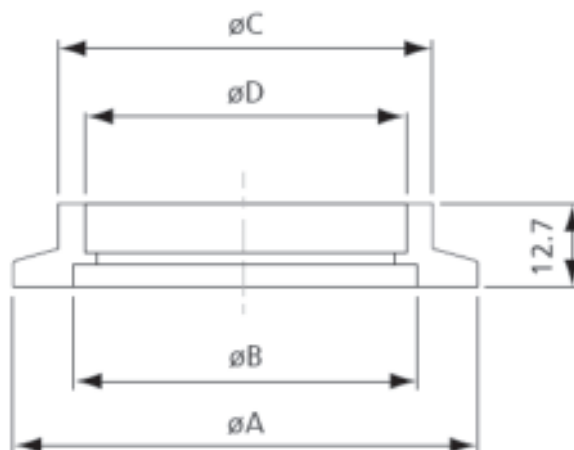


Part No.	KF Size	Material	A	B	C	D
EV01006	10	304 Stainless Steel	30	12.2	5	12.9
EV01007	16	304 Stainless Steel	30	17.2	5	19.3
EV01008	25	304 Stainless Steel	40	26.2	5	25.7
EV01009	40	304 Stainless Steel	55	41.2	5	38.4
EV01010	50	304 Stainless Steel	75	52.2	5	51

KF SERIES

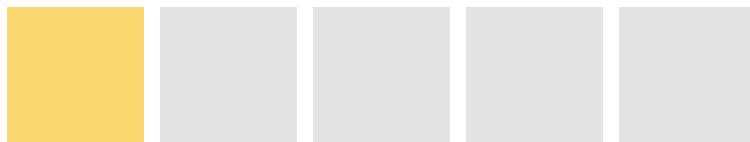


Socket Weld Flange

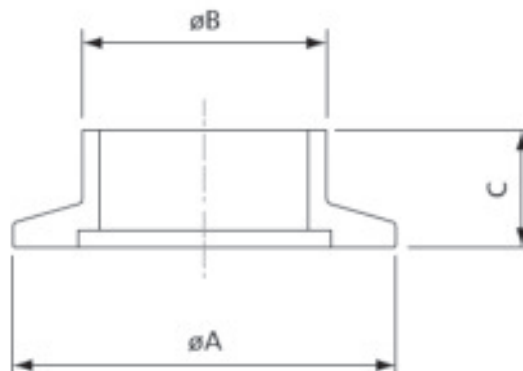


Part No.	KF Size	Material	A	B	C	D
EV01011	10	304 Stainless Steel	30	12.2	16.5	13
EV01012	16	304 Stainless Steel	30	17.2	20.5	19.3
EV01013	25	304 Stainless Steel	40	26.2	29	25.7
EV01014	40	304 Stainless Steel	55	41.2	44.7	38.4
EV01015	50	304 Stainless Steel	75	52.2	57.4	51

KF SERIES

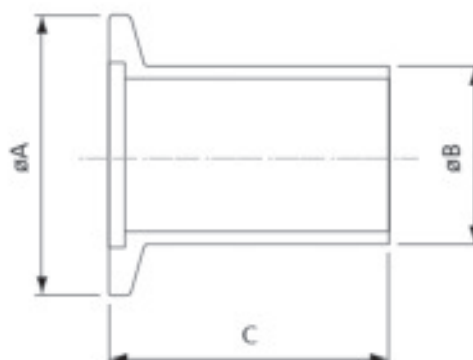
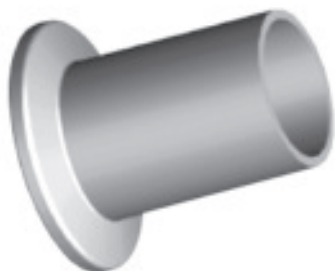


Half Nipple (Short)



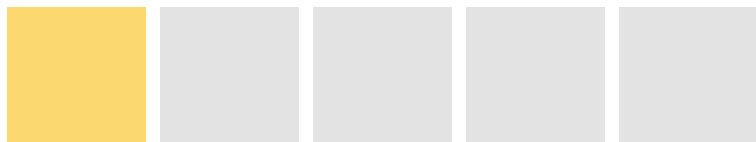
Part No.	KF Size	Material	A	B	C
EV01016	10	304 Stainless Steel	30	14	30
EV01017	16	304 Stainless Steel	30	20	30
EV01018	25	304 Stainless Steel	40	28	30
EV01019	40	304 Stainless Steel	55	45	30
EV01020	50	304 Stainless Steel	75	57	30

Half Nipple (Long)

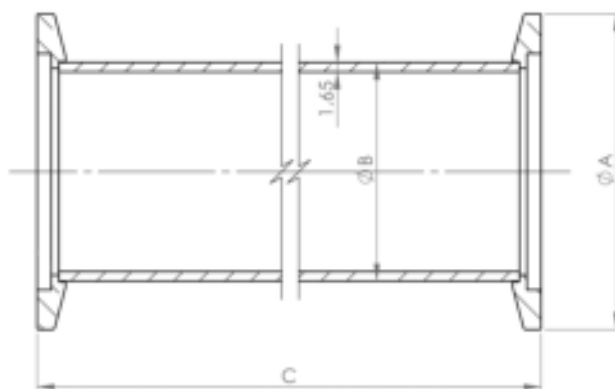


Part No.	KF Size	Material	A	B	C
EV01021	10	304 Stainless Steel	30	14	70
EV01022	16	304 Stainless Steel	30	20	70
EV01023	25	304 Stainless Steel	40	28	70
EV01024	40	304 Stainless Steel	55	45	70
EV01025	50	304 Stainless Steel	75	57	70

KF SERIES

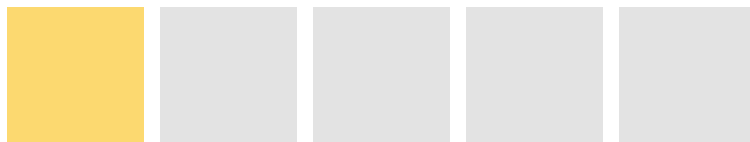


Full Nipple

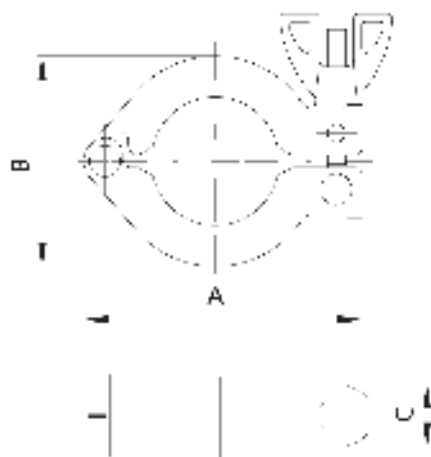
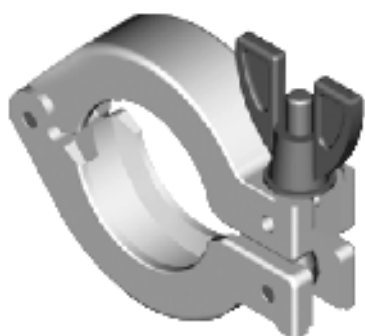


Part No.	KF Size	Material	A	B	C
EV01026	16	304 Stainless Steel	30	19.05	80
EV01027	25	304 Stainless Steel	40	25.4	100
EV01028	40	304 Stainless Steel	55	38.1	130
EV01029	50	304 Stainless Steel	75	50.8	140

KF SERIES

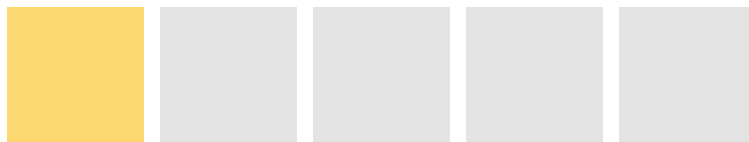


Swing Clamp

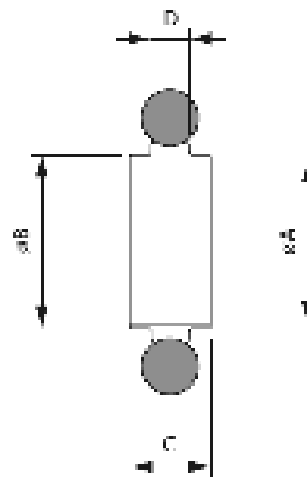


Part No.	KF Size	Material	A	B	C
EV01030	16	Aluminium	63	42.5	16
EV01031	25	Aluminium	72	54	16
EV01032	40	Aluminium	90	70	16
EV01033	50	Aluminium	114	90	20

KF SERIES

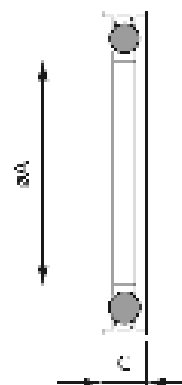
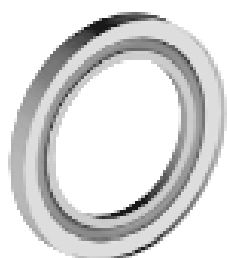


Centering Ring with O'Ring



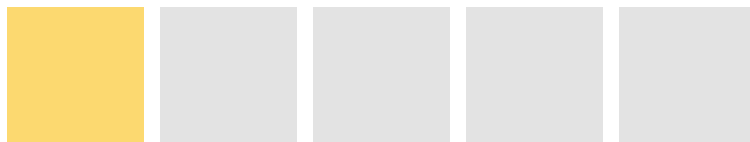
Part No.	KF Size	Material		A	B	C	D
		C/R	O'Ring				
EV01034	10	304 Stainless Steel	Viton	10	12	8	3.9
EV01035	16	304 Stainless Steel	Viton	16	17	8	3.9
EV01036	25	304 Stainless Steel	Viton	25	26	8	3.9
EV01037	40	304 Stainless Steel	Viton	40	41	8	3.9
EV01038	50	304 Stainless Steel	Viton	50	52	8	3.9

Centering Ring with O'Ring & Outer Ring

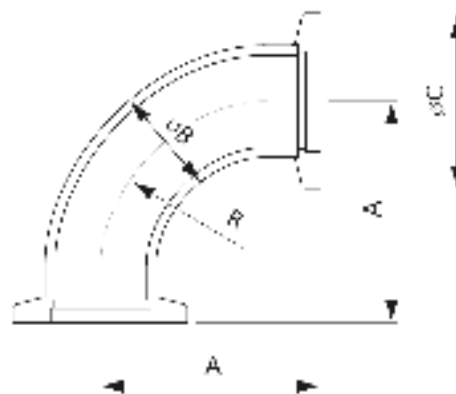


Part No.	KF Size	Material			A	B	C
		C/R	O'Ring	O/R			
EV01039	16	304 Stainless Steel	Viton	Aluminium	16	32.5	8
EV01040	25	304 Stainless Steel	Viton	Aluminium	25	42.5	8
EV01041	40	304 Stainless Steel	Viton	Aluminium	40	57.5	8
EV01042	50	304 Stainless Steel	Viton	Aluminium	50	77.5	8

KF SERIES

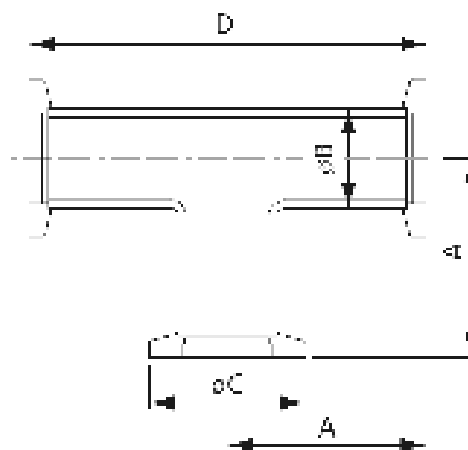


90 Degree Elbow



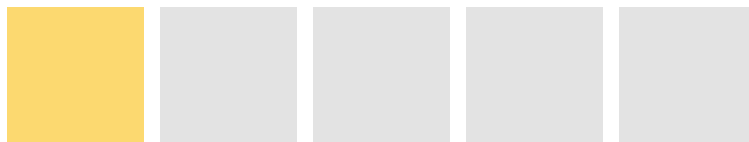
Part No.	KF Size	Material	A	B	C	R
EV01043	16	304 Stainless Steel	40	19.05	30	28.6
EV01044	25	304 Stainless Steel	50.8	25.4	40	38.1
EV01045	40	304 Stainless Steel	65	38.1	55	57.2
EV01046	50	304 Stainless Steel	80	50.8	75	76.2

Tee

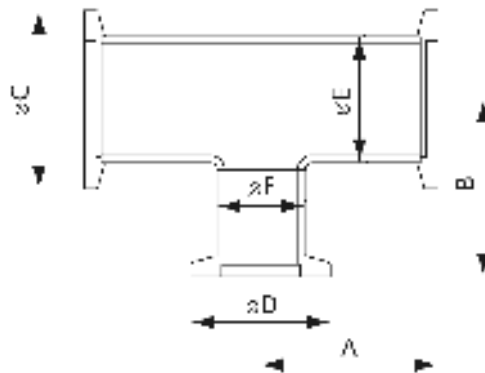


Part No.	KF Size	Material	A	B	C	D
EV01047	16	304 Stainless Steel	40	19.05	30	80
EV01048	25	304 Stainless Steel	50	25.4	40	100
EV01049	40	304 Stainless Steel	65	38.1	55	130
EV01050	50	304 Stainless Steel	70	50.8	75	140

KF SERIES

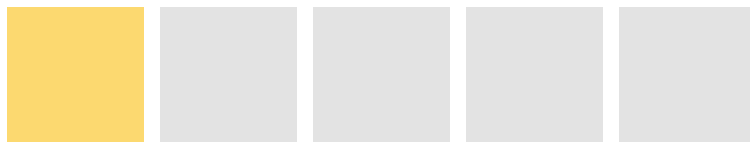


Unequal Tee

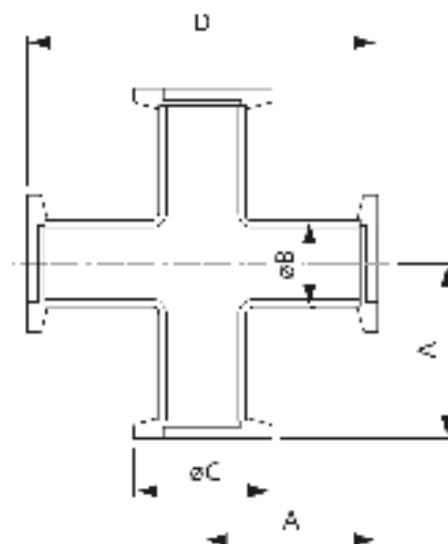


Part No.	KF Size	Material	A	B	C	D	E	F
EV01051	25/16	304 Stainless Steel	50	40	40	30	25.4	19.05
EV01052	40/16	304 Stainless Steel	65	40	55	30	38.1	19.05
EV01053	40/25	304 Stainless Steel	65	50	55	40	38.1	25.4
EV01054	50/16	304 Stainless Steel	70	50	75	30	50.8	19.05
EV01055	50/25	304 Stainless Steel	70	65	75	40	50.8	25.4
EV01056	50/40	304 Stainless Steel	70	65	75	55	50.8	38.1

KF SERIES

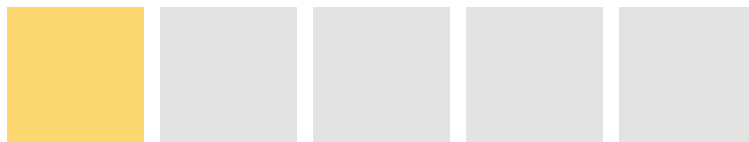


4-Way Cross

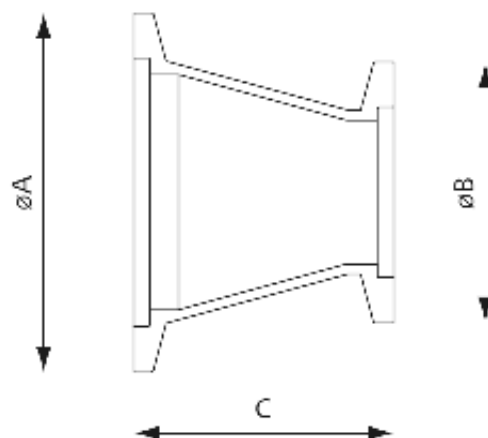


Part No.	KF Size	Material	A	B	C	D
EV01057	16	304 Stainless Steel	40	19.05	30	80
EV01058	25	304 Stainless Steel	50	25.4	40	100
EV01059	40	304 Stainless Steel	65	38.1	55	130
EV01060	50	304 Stainless Steel	70	50.8	75	140

KF SERIES

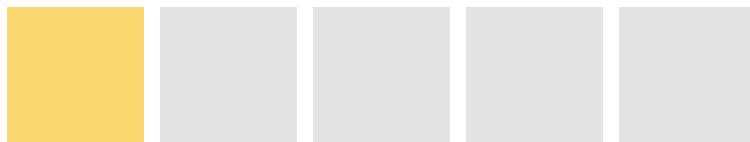


Conical Reducer

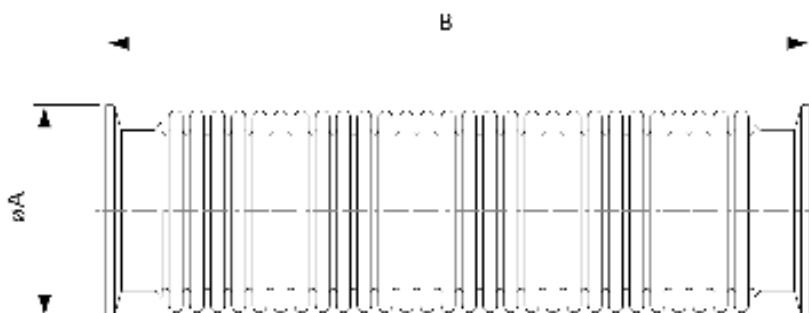


Part No.	KF Size	Material	A	B	C
EV01061	25/16	304 Stainless Steel	40	30	40
EV01062	40/16	304 Stainless Steel	55	30	40
EV01063	40/25	304 Stainless Steel	55	40	40
EV01064	50/16	304 Stainless Steel	75	30	40
EV01065	50/25	304 Stainless Steel	75	40	40
EV01066	50/40	304 Stainless Steel	75	55	40

KF SERIES

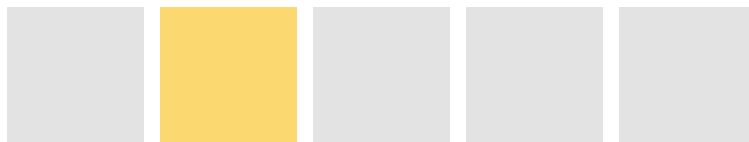


Flexible Hose

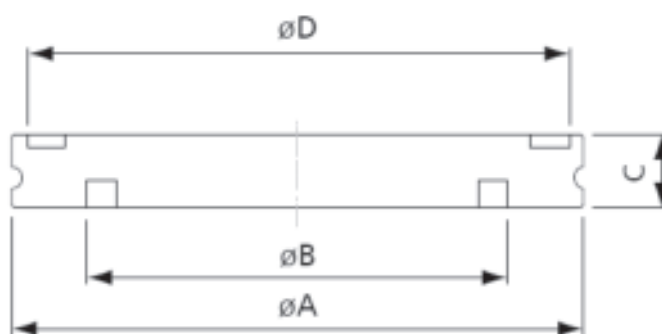


Part No.	KF Size	Material	A	B
EV01067	16	304 Stainless Steel	30	250
EV01068	16	304 Stainless Steel	30	500
EV01069	16	304 Stainless Steel	30	750
EV01070	16	304 Stainless Steel	30	1000
EV01071	25	304 Stainless Steel	40	250
EV01072	25	304 Stainless Steel	40	500
EV01073	25	304 Stainless Steel	40	750
EV01074	25	304 Stainless Steel	40	1000
EV01075	40	304 Stainless Steel	55	250
EV01076	40	304 Stainless Steel	55	500
EV01077	40	304 Stainless Steel	55	750
EV01078	40	304 Stainless Steel	55	1000
EV01079	50	304 Stainless Steel	75	250
EV01080	50	304 Stainless Steel	75	500
EV01081	50	304 Stainless Steel	75	750
EV01082	50	304 Stainless Steel	75	1000

ISO SERIES

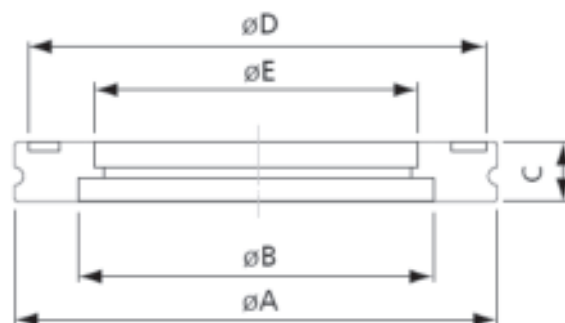


Blank Flange



Part No.	ISO Size	Material	A	B	C	D
EV02001	63	304 Stainless Steel	95	70	12	90
EV02002	80	304 Stainless Steel	110	83	12	105
EV02003	100	304 Stainless Steel	130	102	12	125
EV02004	160	304 Stainless Steel	180	153	12	175

Bored Blank Flange

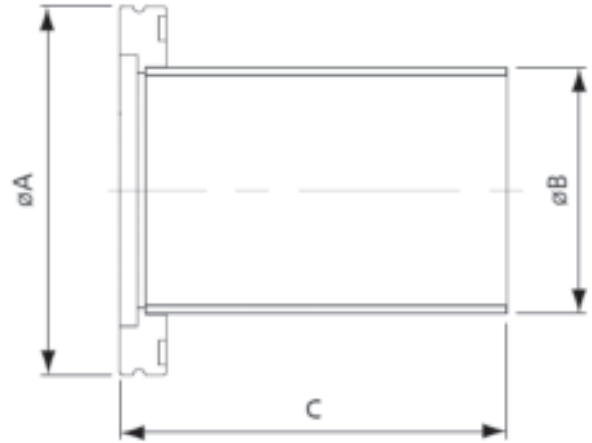


Part No.	ISO Size	Material	A	B	C	D	E
EV02005	63	304 Stainless Steel	95	70	12	90	63.7
EV02006	80	304 Stainless Steel	110	83	12	105	76.4
EV02007	100	304 Stainless Steel	130	102	12	125	101.8
EV02008	160	304 Stainless Steel	180	153	12	175	152.9

ISO SERIES

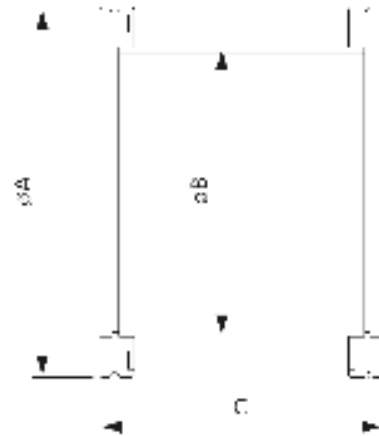


Half Nipple



Part No.	ISO Size	Material	A	B	C
EV02009	63	304 Stainless Steel	95	63.5	100
EV02010	80	304 Stainless Steel	110	76.2	100
EV02011	100	304 Stainless Steel	130	101.6	100
EV02012	160	304 Stainless Steel	180	152.4	100

Full Nipple

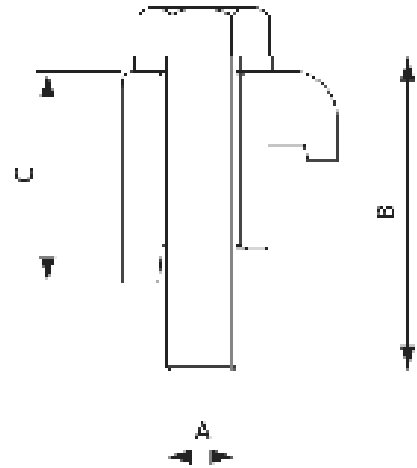
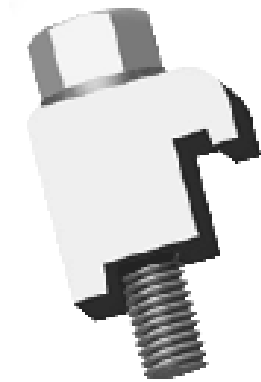


Part No.	ISO Size	Material	A	B	C
EV02013	63	304 Stainless Steel	95	63.5	100
EV02014	80	304 Stainless Steel	110	76.2	100
EV02015	100	304 Stainless Steel	130	101.6	100
EV02016	160	304 Stainless Steel	180	152.4	100

ISO SERIES

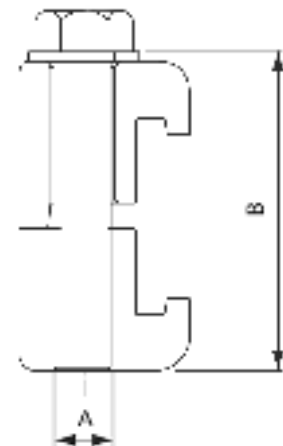


Single Wall Clamp



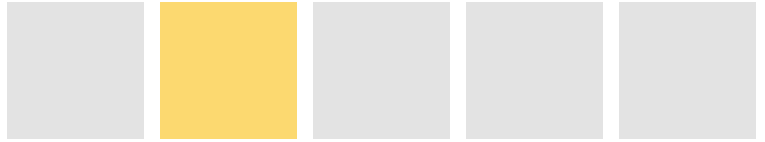
Part No.	ISO Size	Material	A	B	C
EV02017	63-100	Aluminium	M8	35	23.5
EV02018	160-250	Aluminium	M10	35	23.5

Double Wall Clamp

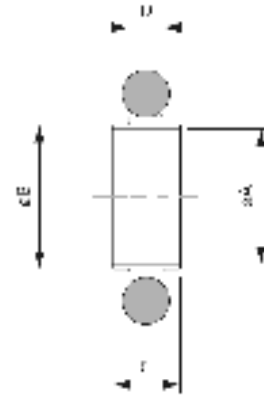


Part No.	ISO Size	Material	A	B
EV02019	63-100	Aluminium	M8	45
EV02020	160-250	Aluminium	M10	45

ISO SERIES

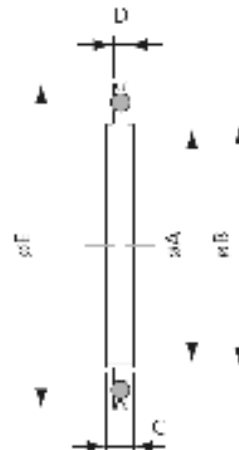


Centering Ring with O'Ring



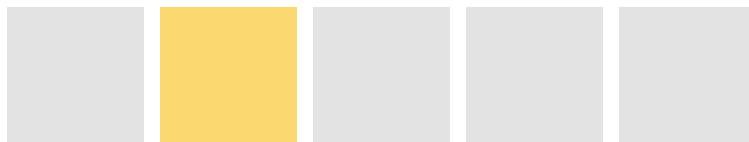
Part No.	ISO Size	Material		A	B	C	D
		C/R	O'Ring				
EV02021	63	304 Stainless Steel	Viton	68	70	8	3.9
EV02022	80	304 Stainless Steel	Viton	81	82.6	8	3.9
EV02023	100	304 Stainless Steel	Viton	100	102	8	3.9
EV02024	160	304 Stainless Steel	Viton	148	153	8	3.9

Centering Ring with O'Ring & Outer Ring

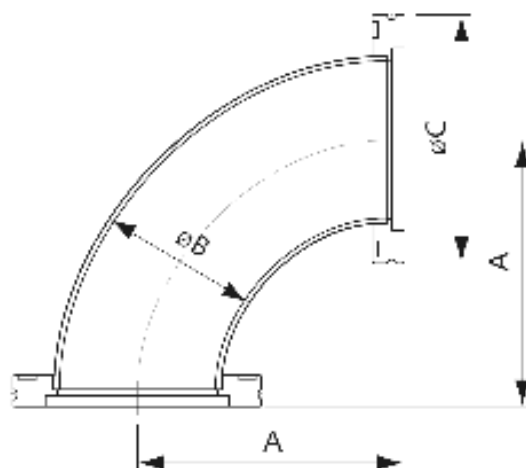


Part No.	ISO Size	Material			A	B	C	D	E
		C/R	O'Ring	O/R					
EV02025	63	304 Stainless Steel	Viton	Aluminium	68	70	8	3.9	94
EV02026	80	304 Stainless Steel	Viton	Aluminium	81	82.6	8	3.9	109
EV02027	100	304 Stainless Steel	Viton	Aluminium	100	102	8	3.9	128
EV02028	160	304 Stainless Steel	Viton	Aluminium	148	153	8	3.9	179

ISO SERIES

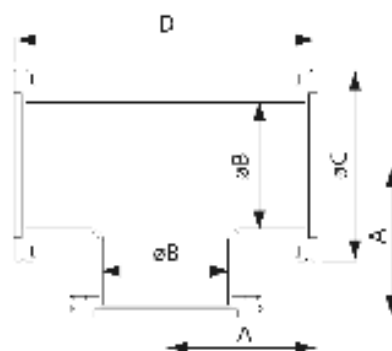


90 Degree Elbow



Part No.	ISO Size	Material	A	B	C
EV02029	63	304 Stainless Steel	138.4	63.5	95
EV02030	80	304 Stainless Steel	166.9	76.2	110
EV02031	100	304 Stainless Steel	217.7	101.6	130
EV02032	160	304 Stainless Steel	235.2	152.4	180

Tee

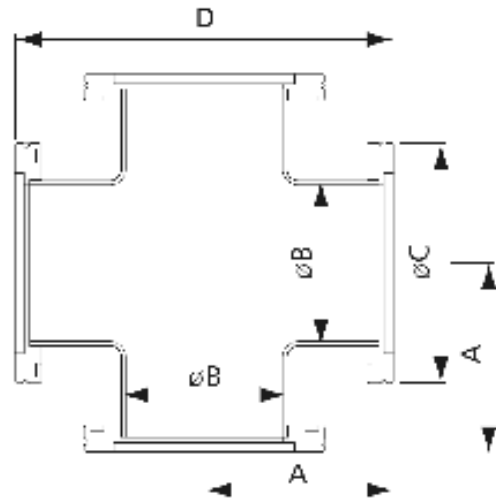


Part No.	ISO Size	Material	A	B	C	D
EV02033	63	304 Stainless Steel	82.8	63.5	95	165.6
EV02034	80	304 Stainless Steel	89.15	76.2	110	178.3
EV02035	100	304 Stainless Steel	105	101.6	130	210
EV02036	160	304 Stainless Steel	133.6	152.4	180	267.2

ISO SERIES

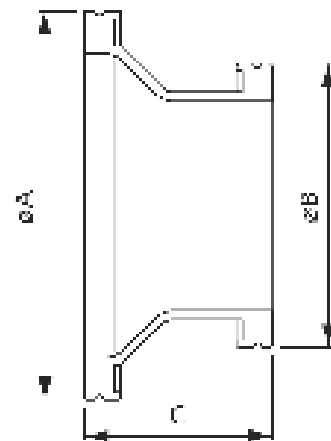


4-Way Cross



Part No.	ISO Size	Material	A	B	C	D
EV02037	63	304 Stainless Steel	82.8	63.5	95	165.6
EV02038	80	304 Stainless Steel	89.15	76.2	110	178.3
EV02039	100	304 Stainless Steel	105	101.6	130	210
EV02040	160	304 Stainless Steel	133.6	152.4	180	267.2

Conical Reducer

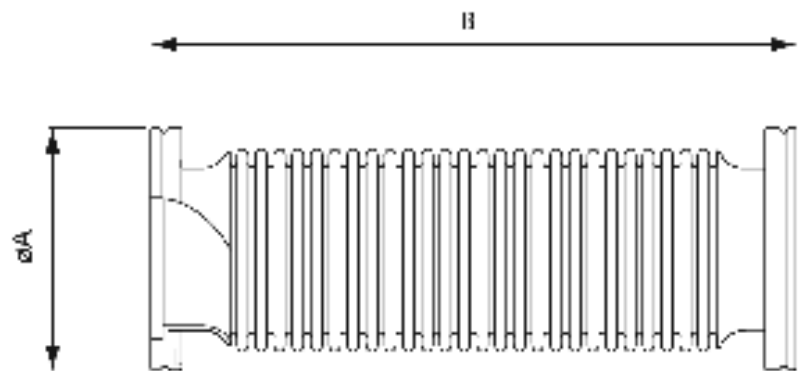


Part No.	ISO Size	Material	A	B	C
EV02041	80/63	304 Stainless Steel	110	95	63
EV02042	100/63	304 Stainless Steel	130	95	63
EV02043	100/80	304 Stainless Steel	130	110	63
EV02044	160/63	304 Stainless Steel	180	95	63

ISO SERIES



Flexible Hose

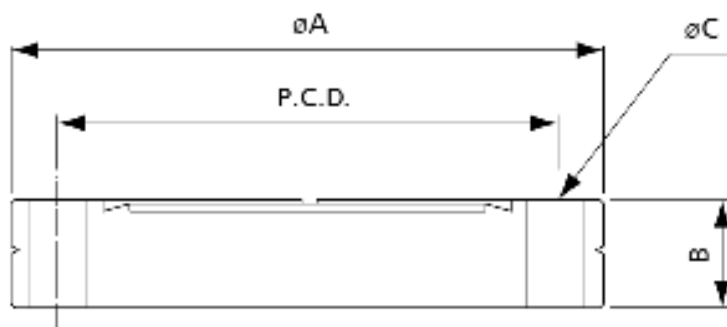
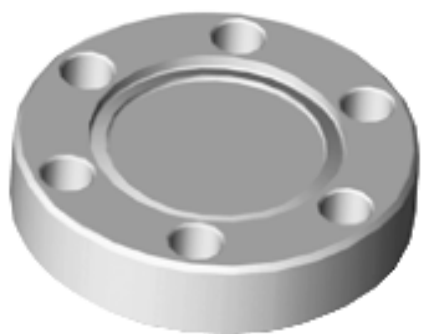


Part No.	ISO Size	Material	A	B
EV02045	63	304 Stainless Steel	95	250
EV02046	63	304 Stainless Steel	95	500
EV02047	63	304 Stainless Steel	95	750
EV02048	63	304 Stainless Steel	95	1000
EV02049	80	304 Stainless Steel	110	250
EV02050	80	304 Stainless Steel	110	500
EV02051	80	304 Stainless Steel	110	750
EV02052	80	304 Stainless Steel	110	1000
EV02053	100	304 Stainless Steel	130	250
EV02054	100	304 Stainless Steel	130	500
EV02055	100	304 Stainless Steel	130	750
EV02056	100	304 Stainless Steel	130	1000

CF SERIES

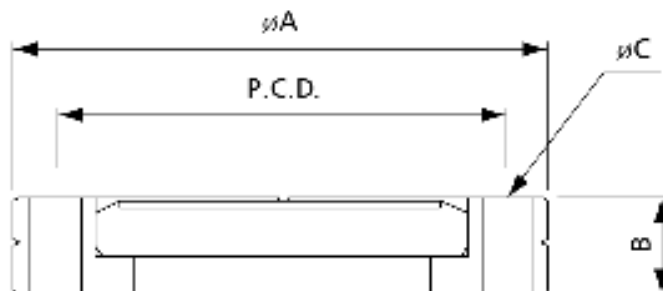


Blank Flange Non-Rotatable



Part No.	CF Size	Material	A	B	C	P.C.D.
EV03001	34 (1.33")	304 Stainless Steel	33.8	7.5	4.4*6	26.9
EV03002	70 (2.75")	304 Stainless Steel	69.5	12.7	6.7*6	58.7
EV03003	114 (4.5")	304 Stainless Steel	113.6	18	8.4*8	92.1
EV03004	152 (6")	304 Stainless Steel	151.6	20	8.4*16	130.3

Blank Flange Rotatable

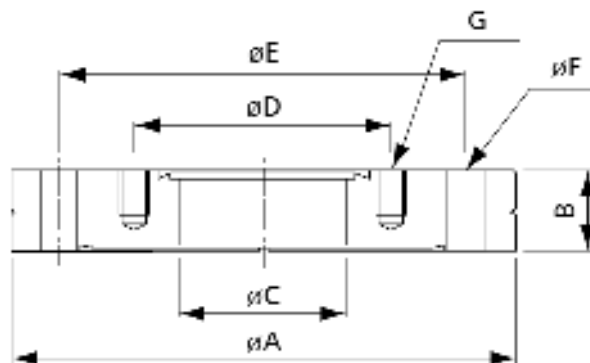
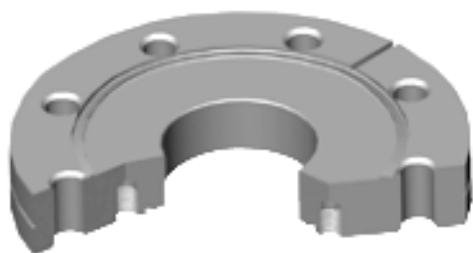


Part No.	CF Size	Material	A	B	C	P.C.D.
EV03005	34 (1.33")	304 Stainless Steel	33.8	7.5	4.4*6	26.9
EV03006	70 (2.75")	304 Stainless Steel	69.5	12.7	6.7*6	58.7
EV03007	114 (4.5")	304 Stainless Steel	113.6	19	8.4*8	92.1
EV03008	152 (6")	304 Stainless Steel	151.6	21.5	8.4*16	130.3

CF SERIES



Reducing Flange

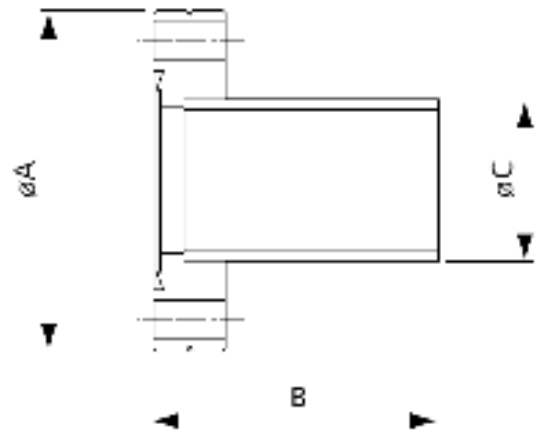
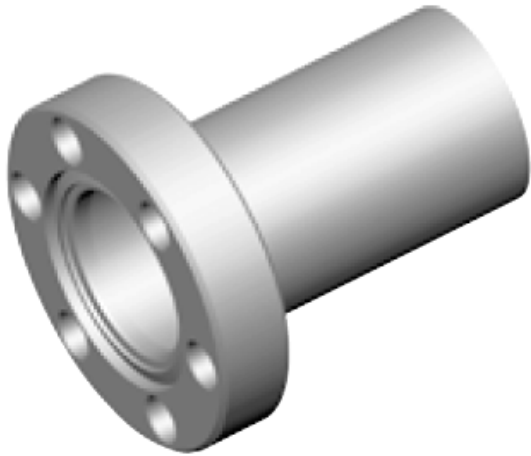


Part No.	CF Size	Material	A	B	C	D	E	F	G
EV03009	70 (2.75") / 34 (1.33")	304 Stainless Steel	69.5	12.7	15.8	26.9	58.7	6.7*6	M4*6
EV03010	114 (4.5") / 34 (1.33")	304 Stainless Steel	113.6	18	15.8	26.9	92.1	8.4*8	M4*6
EV03011	114 (4.5") / 70 (2.75")	304 Stainless Steel	113.6	18	38.1	58.7	92.1	8.4*8	M6*6
EV03012	152 (6") / 70 (2.75")	304 Stainless Steel	151.6	20	38.1	58.7	130.3	8.4*16	M6*6
EV03013	152 (6") / 114 (4.5")	304 Stainless Steel	151.6	20	63.5	92.1	130.3	8.4*16	M8*8

CF SERIES

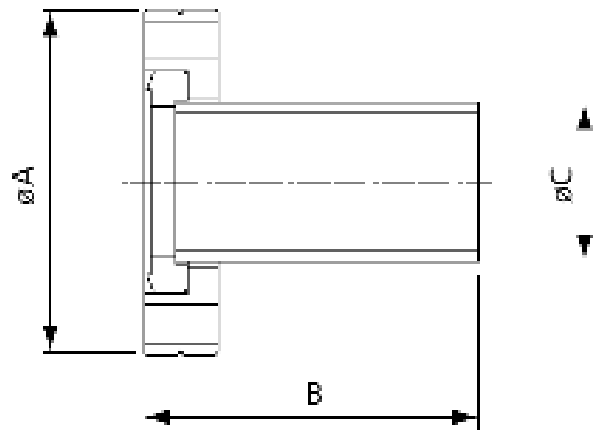
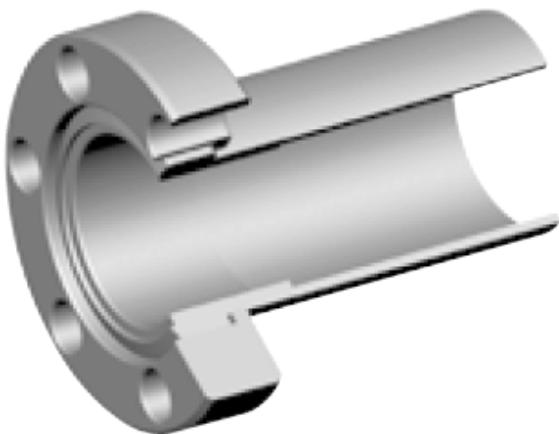


Half Nipple Non-Rotatable



Part No.	CF Size	Material	A	B	C
EV03014	34 (1.33")	304 Stainless Steel	33.8	38	19.05
EV03015	70 (2.75")	304 Stainless Steel	69.5	63	38.1
EV03016	114 (4.5")	304 Stainless Steel	113.6	105	63.5
EV03017	152 (6")	304 Stainless Steel	151.6	135	101.6

Half Nipple Rotatable

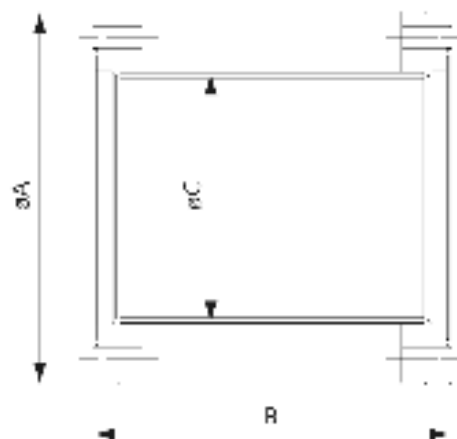
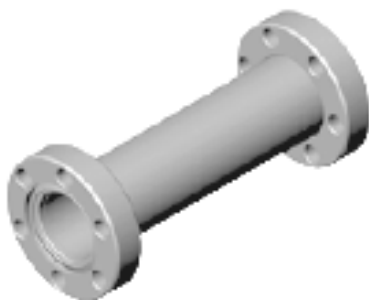


Part No.	CF Size	Material	A	B	C
EV03018	34 (1.33")	304 Stainless Steel	33.8	38	19.05
EV03019	70 (2.75")	304 Stainless Steel	69.5	63	38.1
EV03020	114 (4.5")	304 Stainless Steel	113.6	105	63.5
EV03021	152 (6")	304 Stainless Steel	151.6	135	101.6

CF SERIES

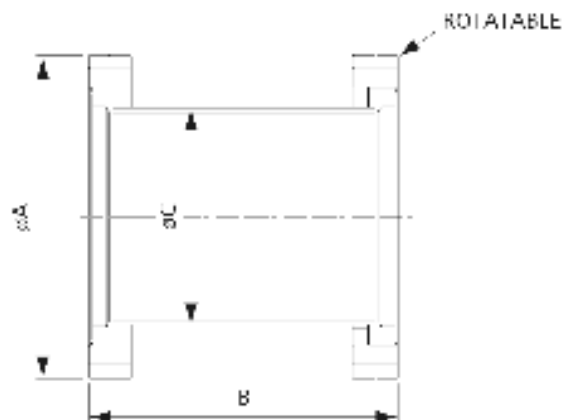


Full Nipple Non-Rotatable



Part No.	CF Size	Material	A	B	C
EV03022	34 (1.33")	304 Stainless Steel	33.8	76	19.05
EV03023	70 (2.75")	304 Stainless Steel	69.5	126	38.1
EV03024	114 (4.5")	304 Stainless Steel	113.6	210	63.5
EV03025	152 (6")	304 Stainless Steel	151.6	270	101.6

Full Nipple Rotatable

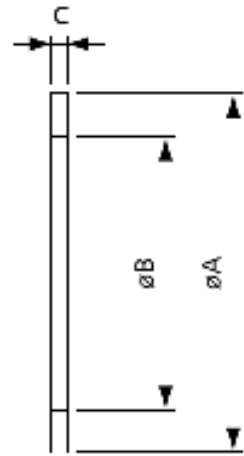


Part No.	CF Size	Material	A	B	C
EV03026	34 (1.33")	304 Stainless Steel	33.8	76	19.05
EV03027	70 (2.75")	304 Stainless Steel	69.5	126	38.1
EV03028	114 (4.5")	304 Stainless Steel	113.6	210	63.5
EV03029	152 (6")	304 Stainless Steel	151.6	270	101.6

CF SERIES



Copper Gasket

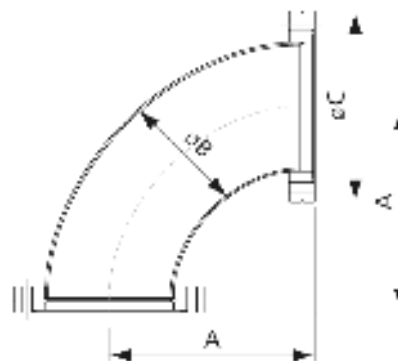
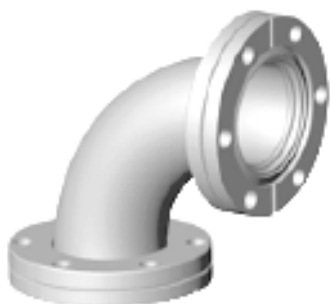


Part No.	CF Size	Material	A	B	C
EVO3030	34 (1.33")	Copper	21	16	2
EVO3031	70 (2.75")	Copper	48	37	2
EVO3032	114 (4.5")	Copper	82	63	2
EVO3033	152 (6")	Copper	120	101	2

CF SERIES

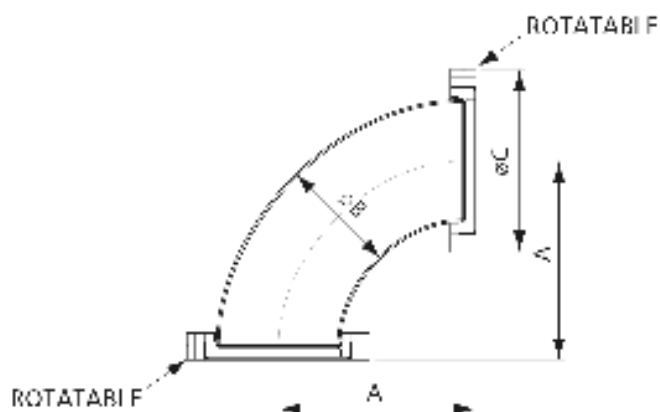
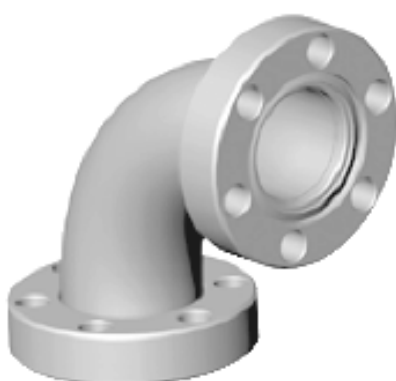


90 Degree Elbow Non-Rotatable



Part No.	CF Size	Material	A	B	C
EV03034	34 (1.33")	304 Stainless Steel	37.5	19.05	33.8
EV03035	70 (2.75")	304 Stainless Steel	79.9	38.1	69.5
EV03036	114 (4.5")	304 Stainless Steel	141.3	63.5	113.6
EV03037	152 (6")	304 Stainless Steel	222.2	101.6	151.6

90 Degree Elbow Rotatable

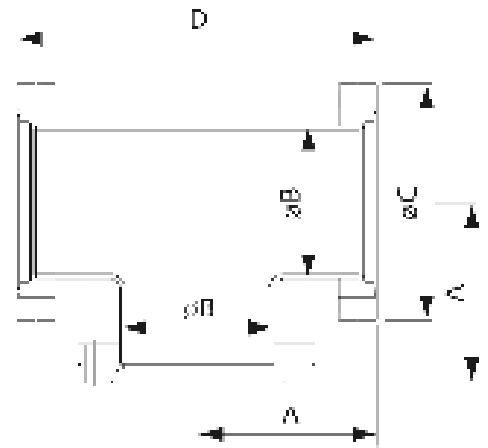


Part No.	CF Size	Material	A	B	C
EV03038	34 (1.33")	304 Stainless Steel	47.2	19.05	33.8
EV03039	70 (2.75")	304 Stainless Steel	79.9	38.1	69.5
EV03040	114 (4.5")	304 Stainless Steel	141.3	63.5	113.6
EV03041	152 (6")	304 Stainless Steel	222.2	101.6	151.6

CF SERIES



Tee Non-Rotatable

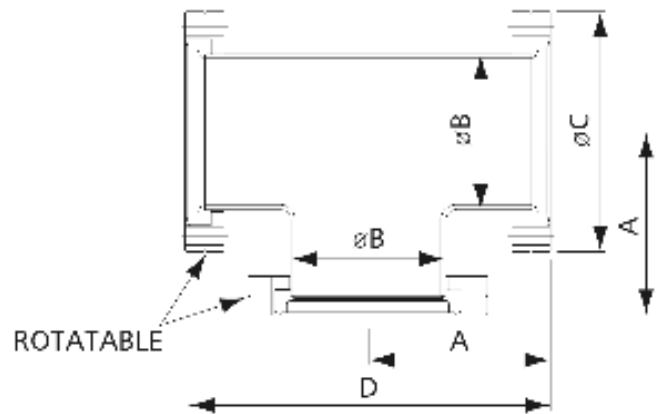
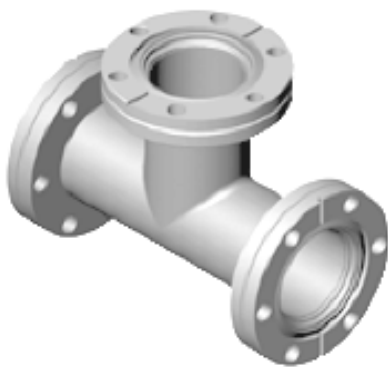


Part No.	CF Size	Material	A	B	C	D
EV03042	34 (1.33")	304 Stainless Steel	37.5	19.05	33.8	75
EV03043	70 (2.75")	304 Stainless Steel	62.5	38.1	69.5	125
EV03044	114 (4.5")	304 Stainless Steel	85.7	63.5	113.6	171.4
EV03045	152 (6")	304 Stainless Steel	109.5	101.6	151.6	219

CF SERIES



Tee Two Flange Rotatable

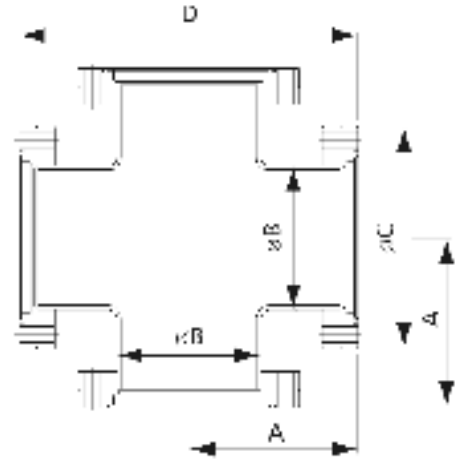


Part No.	CF Size	Material	A	B	C	D
EV03046	34 (1.33")	304 Stainless Steel	47.2	19.05	33.8	94.4
EV03047	70 (2.75")	304 Stainless Steel	62.5	38.1	69.5	125
EV03048	114 (4.5")	304 Stainless Steel	85.7	63.5	113.6	171.4
EV03049	152 (6")	304 Stainless Steel	109.5	101.6	151.6	219

CF SERIES

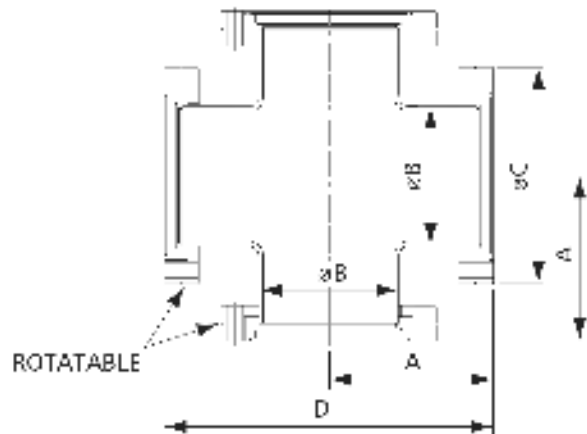


4-Way Cross Non-Rotatable



Part No.	CF Size	Material	A	B	C	D
EV03050	34 (1.33")	304 Stainless Steel	37.5	19.05	33.8	75
EV03051	70 (2.75")	304 Stainless Steel	62.5	38.1	69.5	125
EV03052	114 (4.5")	304 Stainless Steel	85.7	63.5	113.6	171.4
EV03053	152 (6")	304 Stainless Steel	109.5	101.6	151.6	219

4-Way Cross Two Flange Rotatable

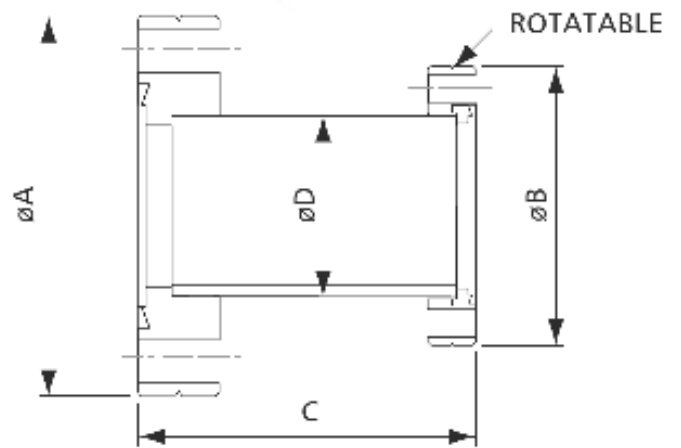
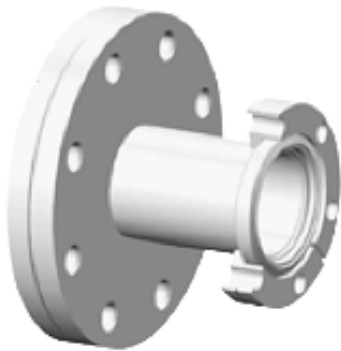


Part No.	CF Size	Material	A	B	C	D
EV03054	34 (1.33")	304 Stainless Steel	47.2	19.05	33.8	94.4
EV03055	70 (2.75")	304 Stainless Steel	62.5	38.1	69.5	125
EV03056	114 (4.5")	304 Stainless Steel	85.7	63.5	113.6	171.4
EV03057	152 (6")	304 Stainless Steel	109.5	101.6	151.6	219

CF SERIES



Tubulated Reducer Small Flange Rotatable

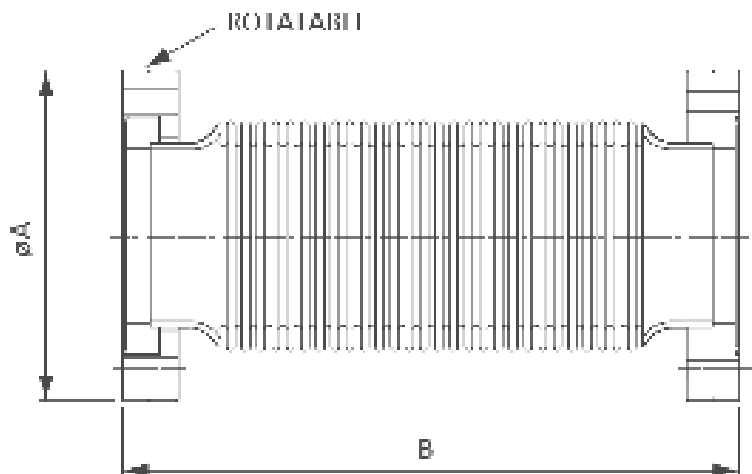
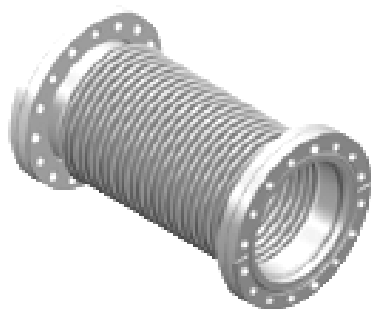


Part No.	CF Size	Material	A	B	C	D
EV03058	70 (2.75") / 34 (1.33")	304 Stainless Steel	69.5	33.8	76.2	19.05
EV03059	114 (4.5") / 34 (1.33")	304 Stainless Steel	113.6	33.8	76.2	19.05
EV03060	114 (4.5") / 70 (2.75")	304 Stainless Steel	113.6	69.5	76.2	38.1
EV03061	152 (6") / 70 (2.75")	304 Stainless Steel	151.6	69.5	76.2	38.1
EV03062	152 (6") / 114 (4.5")	304 Stainless Steel	151.6	113.6	76.2	63.5

CF SERIES



Flexible Hose One Flange Rotatable

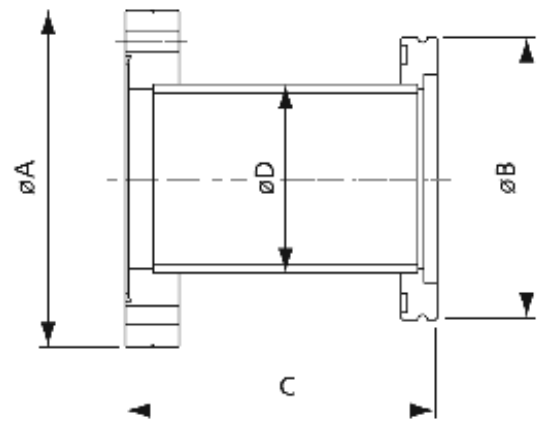


Part No.	CF Size	Material	A	B
EV03063	34 (1.33")	304 Stainless Steel	33.8	250
EV03064	34 (1.33")	304 Stainless Steel	33.8	500
EV03065	34 (1.33")	304 Stainless Steel	33.8	750
EV03066	34 (1.33")	304 Stainless Steel	33.8	1000
EV03067	70 (2.75")	304 Stainless Steel	69.5	250
EV03068	70 (2.75")	304 Stainless Steel	69.5	500
EV03069	70 (2.75")	304 Stainless Steel	69.5	750
EV03070	70 (2.75")	304 Stainless Steel	69.5	1000
EV03071	114 (4.5")	304 Stainless Steel	113.6	250
EV03072	114 (4.5")	304 Stainless Steel	113.6	500
EV03073	114 (4.5")	304 Stainless Steel	113.6	750
EV03074	114 (4.5")	304 Stainless Steel	113.6	1000
EV03075	152 (6")	304 Stainless Steel	151.6	250
EV03076	152 (6")	304 Stainless Steel	151.6	500
EV03077	152 (6")	304 Stainless Steel	151.6	750
EV03078	152 (6")	304 Stainless Steel	151.6	1000

ADAPTER SERIES

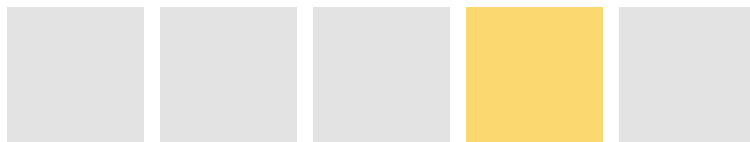


CF/ISO Tubulated Adapter

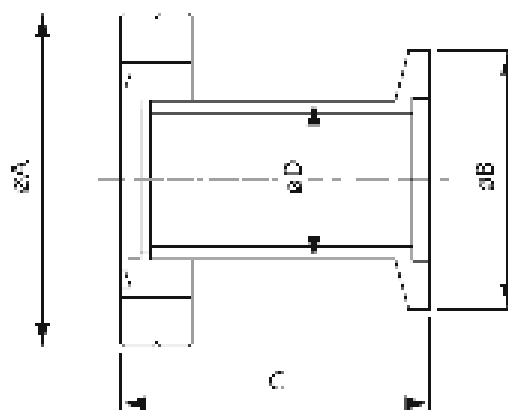
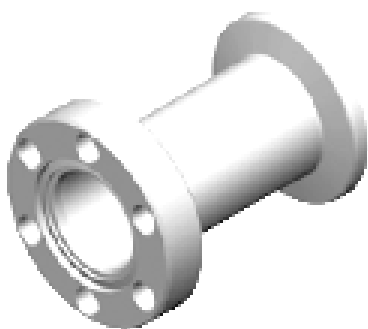


Part No.	Size	Material	A	B	C	D
EV04001	CF114 (4.5") / ISO63	304 Stainless Steel	113.6	95	90	63.5
EV04002	CF152 (6") / ISO63	304 Stainless Steel	151.6	95	90	63.5
EV04003	CF152 (6") / ISO100	304 Stainless Steel	151.6	130	90	101.6
EV04004	CF152 (6") / ISO160	304 Stainless Steel	151.6	180	90	101.6

ADAPTER SERIES



CF/KF Tubulated Adapter

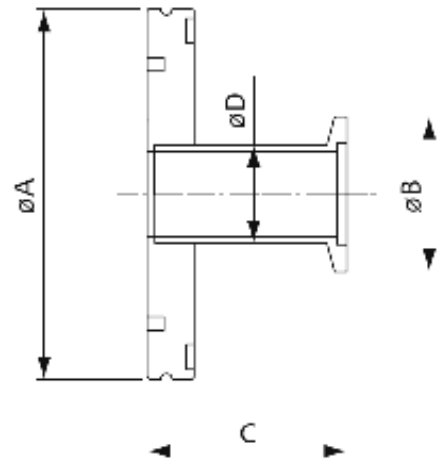


Part No.	Size	Material	A	B	C	D
EV04005	CF34 (1.33") / KF10	304 Stainless Steel	33.8	30	43	12.7
EV04006	CF34 (1.33") / KF16	304 Stainless Steel	33.8	30	43	19.05
EV04007	CF70 (2.75") / KF10	304 Stainless Steel	69.5	30	45.3	12.7
EV04008	CF70 (2.75") / KF16	304 Stainless Steel	69.5	30	45.3	19.05
EV04009	CF70 (2.75") / KF25	304 Stainless Steel	69.5	40	45.3	25.4
EV04010	CF70 (2.75") / KF40	304 Stainless Steel	69.5	55	45.3	38.1
EV04011	CF114 (4.5") / KF50	304 Stainless Steel	113.6	75	49.5	50.8

ADAPTER SERIES

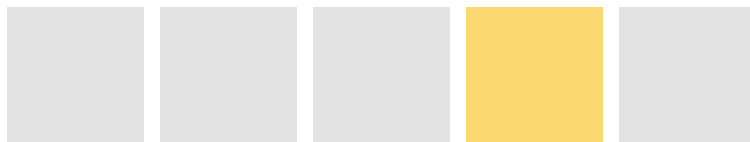


ISO/KF Tubulated Adapter

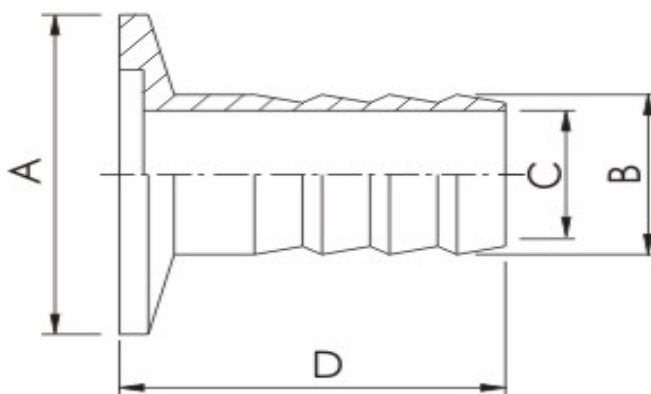
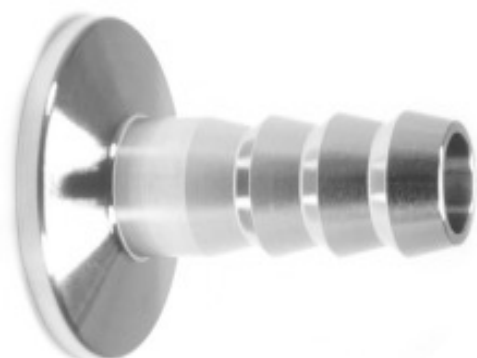


Part No.	Size	Material	A	B	C	D
EV04012	ISO63/KF25	304 Stainless Steel	95	40	42	25.4
EV04013	ISO63/KF40	304 Stainless Steel	95	55	42	38.1
EV04014	ISO63/KF50	304 Stainless Steel	95	75	42	50.8
EV04015	ISO80/KF40	304 Stainless Steel	110	55	42	38.1
EV04016	ISO80/KF50	304 Stainless Steel	110	75	42	50.8
EV04017	ISO100/KF40	304 Stainless Steel	130	55	42	38.1
EV04018	ISO100/KF50	304 Stainless Steel	130	75	42	50.8

ADAPTER SERIES



KF Hose Nozzle Adaptor

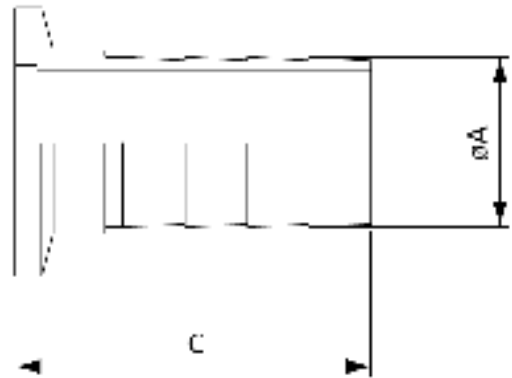
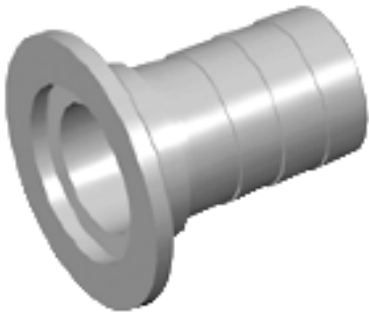


Part No.	KF Size	Material	A	B	C	D
EV04019	10	304 Stainless Steel	30	8	4	40
EV04020	10	304 Stainless Steel	30	12	8	40
EV04021	16	304 Stainless Steel	30	8	4	40
EV04022	16	304 Stainless Steel	30	12	8	40
EV04023	25	304 Stainless Steel	40	8	4	40
EV04024	25	304 Stainless Steel	40	12	8	40
EV04025	25	304 Stainless Steel	40	16	12	40
EV04026	25	304 Stainless Steel	40	20	16	40
EV04027	40	304 Stainless Steel	55	12	8	40
EV04028	40	304 Stainless Steel	55	16	12	40
EV04029	40	304 Stainless Steel	55	20	16	40
EV04030	40	304 Stainless Steel	55	25	20	40
EV04031	50	304 Stainless Steel	75	25	20	40

ADAPTER SERIES



KF Hose Nozzle Adaptor

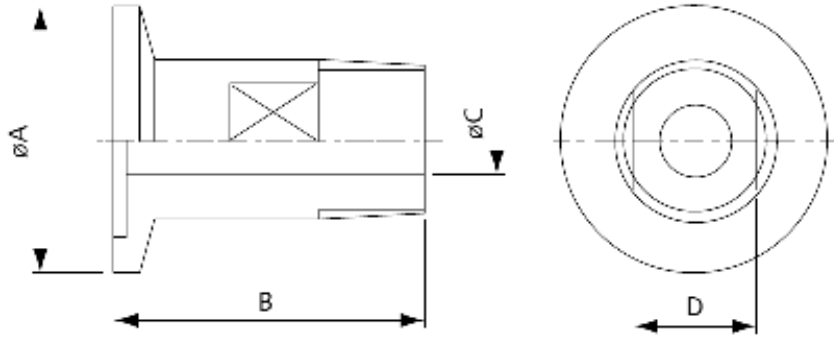


Part No.	KF Size	Hose Size	Material	A	B
EV04032	10	5/8"	304 Stainless Steel	16	40
EV04033	16	3/4"	304 Stainless Steel	19.1	40
EV04034	25	7/8"	304 Stainless Steel	22.2	40
EV04035	40	1 5/8"	304 Stainless Steel	41.3	40
EV04036	50	1 7/8"	304 Stainless Steel	47.7	40

ADAPTER SERIES

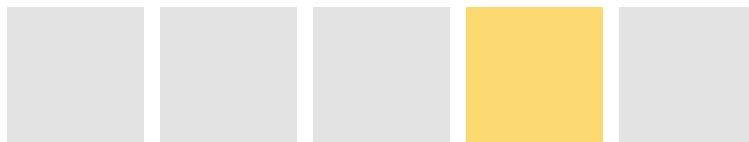


KF Male Pipe Adaptor Thread Type: PT

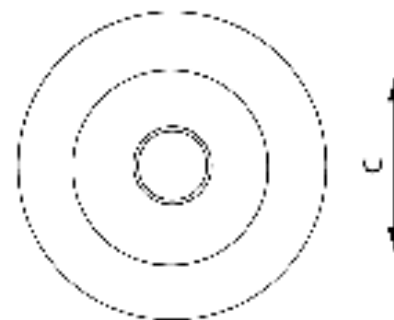
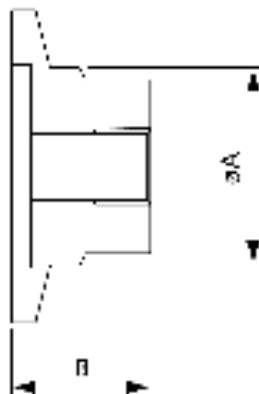


Part No.	KF Size	Tread	Material	A	B	C	D
EV04037	16	1/8"PT	304 Stainless Steel	30	35	4.7	10
EV04038	16	1/4"PT	304 Stainless Steel	30	35	7.1	14
EV04039	25	1/8"PT	304 Stainless Steel	40	35	4.7	10
EV04040	25	1/4"PT	304 Stainless Steel	40	35	7.1	14
EV04041	25	1/2"PT	304 Stainless Steel	40	40	11.9	22
EV04042	25	3/4"PT	304 Stainless Steel	40	40	15.9	27
EV04043	40	1/4"PT	304 Stainless Steel	55	35	7.1	14
EV04044	40	1/2"PT	304 Stainless Steel	55	40	11.9	22
EV04045	40	3/4"PT	304 Stainless Steel	55	40	15.9	27
EV04046	40	1"PT	304 Stainless Steel	55	45	22.2	36
EV04047	50	1/4"PT	304 Stainless Steel	75	35	7.1	14
EV04048	50	1/2"PT	304 Stainless Steel	75	40	11.9	22
EV04049	50	3/4"PT	304 Stainless Steel	75	40	15.9	27
EV04050	50	1"PT	304 Stainless Steel	75	45	22.2	36

ADAPTER SERIES

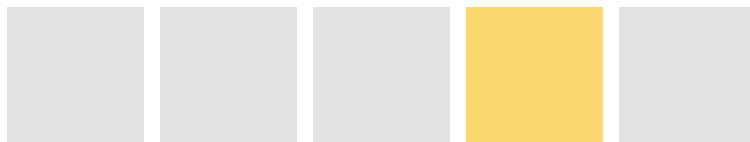


KF Female Pipe Adaptor Thread Type: PT

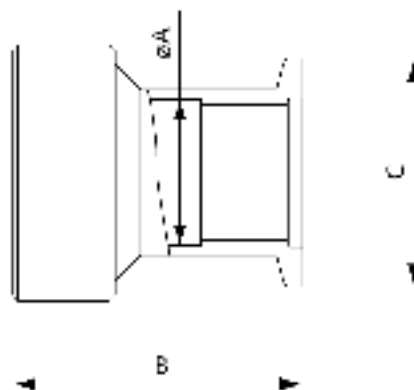


Part No.	KF Size	Tread Size	Material	A	B	C
EV04051	16	1/8"PT	304 Stainless Steel	19.05	25	17
EV04052	16	1/4"PT	304 Stainless Steel	19.05	25	17
EV04053	25	1/8"PT	304 Stainless Steel	25.4	25	19
EV04054	25	1/4"PT	304 Stainless Steel	25.4	25	19
EV04055	40	1/8"PT	304 Stainless Steel	38.1	25	32
EV04056	40	1/4"PT	304 Stainless Steel	38.1	25	32
EV04057	50	1/8"PT	304 Stainless Steel	50.8	25	46
EV04058	50	1/4"PT	304 Stainless Steel	50.8	25	46

ADAPTER SERIES



KF Quick Disconnect Adaptor

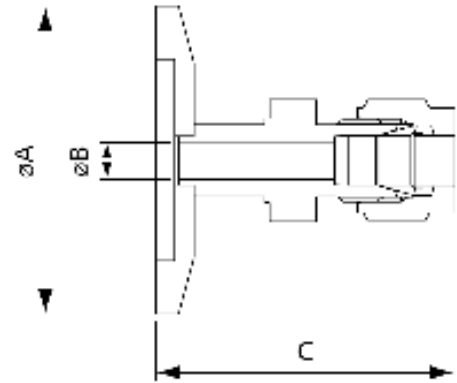
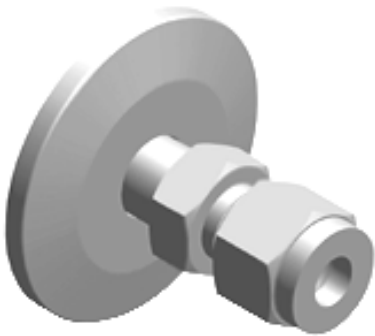


Part No.	KF Size	Tube Size	Material	A	B	C
EV04059	16	1/4"	304 Stainless Steel	6.5	33.4	30
EV04060	16	1/2"	304 Stainless Steel	13	36.5	30
EV04061	16	3/4"	304 Stainless Steel	19.3	44.5	30
EV04062	25	1/2"	304 Stainless Steel	13	36.5	40
EV04063	25	3/4"	304 Stainless Steel	19.3	44.5	40
EV04064	25	1"	304 Stainless Steel	25.7	50.8	40
EV04065	40	1/2"	304 Stainless Steel	13	36.5	55
EV04066	40	3/4"	304 Stainless Steel	19.3	44.5	55
EV04067	40	1"	304 Stainless Steel	25.7	50.8	55
EV04068	40	3/2"	304 Stainless Steel	38.4	60.3	55
EV04069	50	3/2"	304 Stainless Steel	38.4	60.3	75
EV04070	50	2"	304 Stainless Steel	51	60.3	75

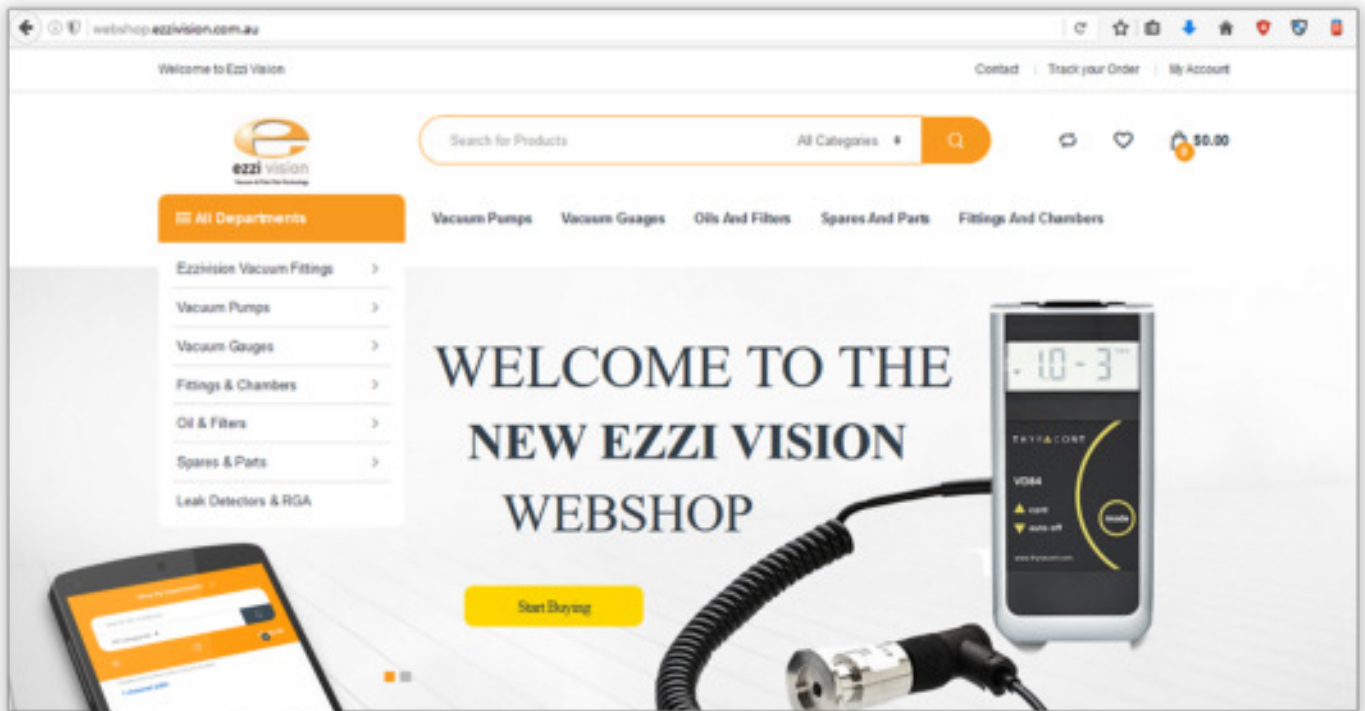
ADAPTER SERIES



KF Swagelok Adaptor



Part No.	KF Size	Swagelok Size	Material	A	B	C
EV04071	16	1/4"	304 Stainless Steel	30	4.8	36.6
EV04072	16	1/2"	304 Stainless Steel	30	10.8	45
EV04073	25	1/4"	304 Stainless Steel	40	4.8	36.6
EV04074	25	1/2"	304 Stainless Steel	40	10.8	54.3
EV04075	40	1/4"	304 Stainless Steel	55	4.8	36.6
EV04076	40	1/2"	304 Stainless Steel	55	10.8	54.3
EV04077	50	1/4"	304 Stainless Steel	75	4.8	36.6
EV04078	50	1/2"	304 Stainless Steel	75	10.8	54.3



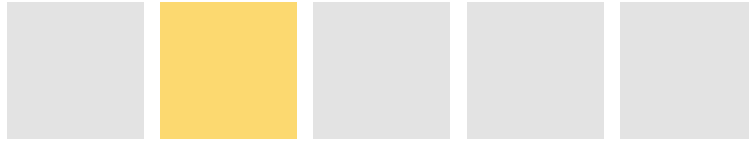
**All parts available
online now.**

Head to www.ezzivision.com.au

Call us on 1800 463 994

For any further queries email sales@ezzivision.com.au





Melbourne Office
Sales and Service Centre:
8 Bonavita Court,
Chirnside Park
VIC 3116, Australia

Sydney Office
Sales and Service Centre
1800 463 994
nsw@ezzivision.com.au

Ezzi Vision Pty Ltd
Melbourne and Sydney
1800 GO EZZI or 1800 463 994

Tel: +61 (03) 97270770
Fax: +61 (03) 86101928
Email: info@ezzivision.com.au

www.ezzivision.com.au

